

Sign Type A - ROOM ID SIGN | Scale: 1:2

Specifications:

FACE - 1/8" non-glare acrylic, painted 2nd surface white
 1/32" Charcoal Gray applique text and Grade II clear raster braille.
 Font: DIN - Medium

Install w/ D/F Foam tape and silicone adhesive.

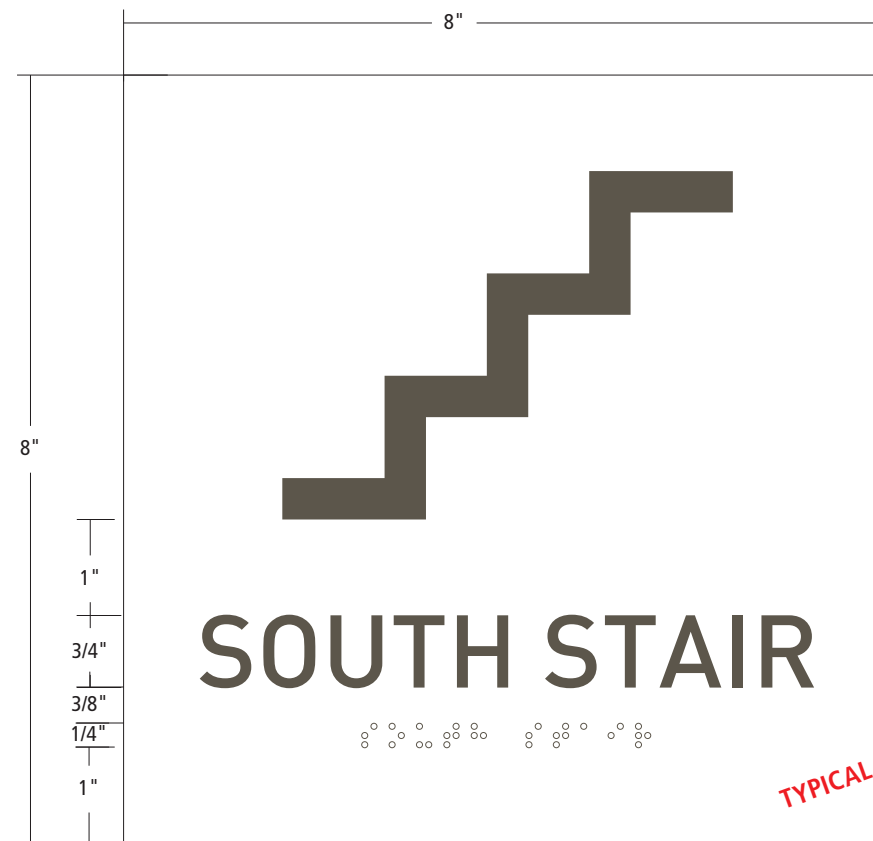


Sign Type C - Restroom | Scale: 1:2

Specifications:

FACE - 1/8" non-glare acrylic, painted 2nd surface white
 1/32" Charcoal Gray applique text and Grade II clear raster braille.
 Font: DIN - Medium

Install w/ D/F Foam tape and silicone adhesive.



Sign Type B-1 - Stairwell | Scale: 1:2

Specifications:

FACE - 1/8" non-glare acrylic, painted 2nd surface white
 1/32" Charcoal Gray applique text and Grade II clear raster braille.
 Font: DIN - Medium

Install w/ D/F Foam tape and silicone adhesive.



Sign Type B-2 - Stairwell | Scale: 1:2

Specifications:

FACE - 1/8" non-glare acrylic, painted 2nd surface white
 1/32" Charcoal Gray applique text and Grade II clear raster braille.
 Font: DIN - Medium

Install w/ D/F Foam tape and silicone adhesive.

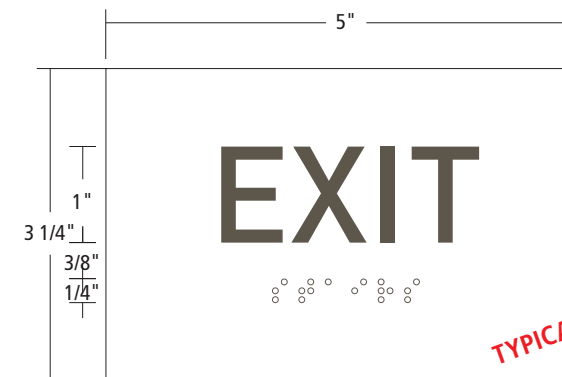


Sign Type D-1 - Level Indicator | Scale: 1:2

Specifications:

FACE - 1/8" non-glare acrylic, painted 2nd surface white
 1/32" Charcoal Gray applique text and Grade II clear raster braille.
 Font: DIN - Medium

Install w/ D/F Foam tape and silicone adhesive.

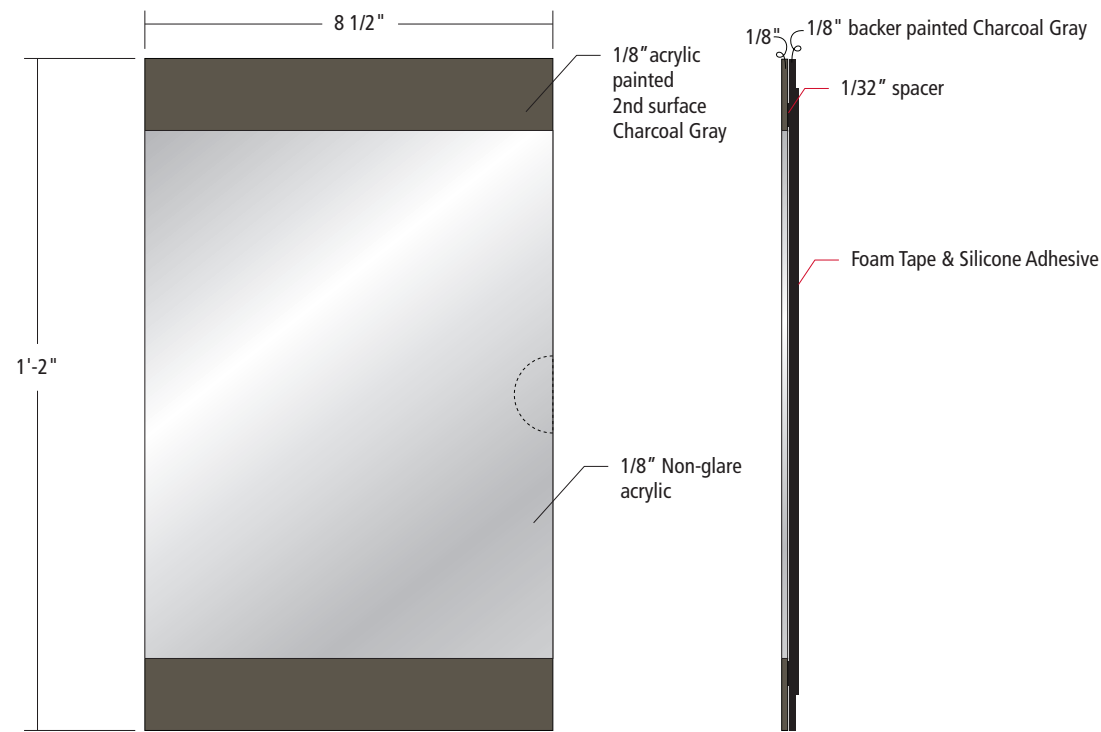


Sign Type D-2 - Exit | Scale: 1:2

Specifications:

FACE - 1/8" non-glare acrylic, painted 2nd surface white
 1/32" Charcoal Gray applique text and Grade II clear raster braille.
 Font: DIN - Medium

Install w/ D/F Foam tape and silicone adhesive.

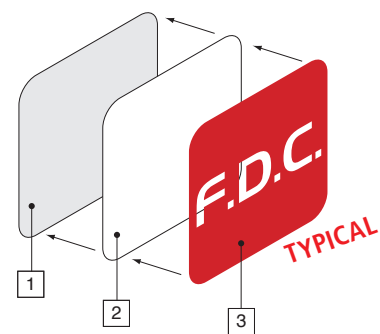


Sign Type E - Evacuation Map Holder
Scale: 3" = 1'-0"

NOTE: Map Graphic Insert is supplied by Client



Sign Type F - FDC | Scale: 1 1/2" = 1'-0"



ASSEMBLY VIEW

SPECIFICATIONS

- 1 .080" Aluminum With 1" Radius Corners
- 2 White 3m Diamond Grade Reflective Sheeting (3990 Series Vip Type Ix) Applied As Background
- 3 3m Scotchlite Electronic Transparent (Red) Cuttable Film (1170 Series) Inverse Cut To Allow White Reflective Background To Show Through



Sign type G / Entry Vinyl | scale: 3" = 1'-0"

specifications

- Type 5B
3M WHITE VINYL - < 16" x 24"
- 3M white vinyl with reversed out copy to read "honor health"
 - 3M white vinyl to read: "medical center" and office hrs
 - entire logo centered on window/ glass door



Sign Type H.1 - Stairwell Level Indicator | Scale: 3" = 1'-0"

Specifications:

FACE - 1/8" non-glare acrylic, painted 2nd surface white
 1/32" Charcoal Gray applique text and Grade II clear raster braille.
 Font: DIN - Medium

Install w/ D/F Foam tape and silicone adhesive.



Sign Type H.2 - City of Phoenix - Stairwell Level Indicator - High Rise Format
 Scale: 3" = 1'-0"

Specifications:

BACK LAYER - .080" aluminum panel
 MIDDLE LAYER - 3M White diamond grade reflective vinyl
 TOP LAYER - 3M red electronic cuttable film with text reversed out
 to show thru to white reflective vinyl
 ADA LAYER - White appliqué background with White Grade II raster
 braille translation.
 TEXT - 1" tall 1/32" raised red appliqué floor level numeral
 Install flush to wall with VHB D/F tape and silicone adhesive.

FONT: Handel Gothic BT regular